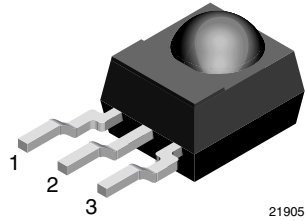


IR Receiver Modules for Remote Control Systems



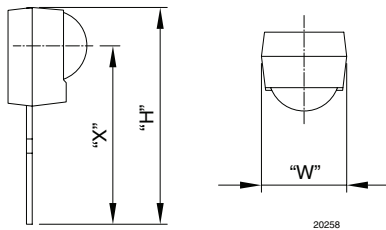
21905

FEATURES

- Compliant to RoHS directive 2002/95/EC and in accordance to WEEE 2002/96/EC

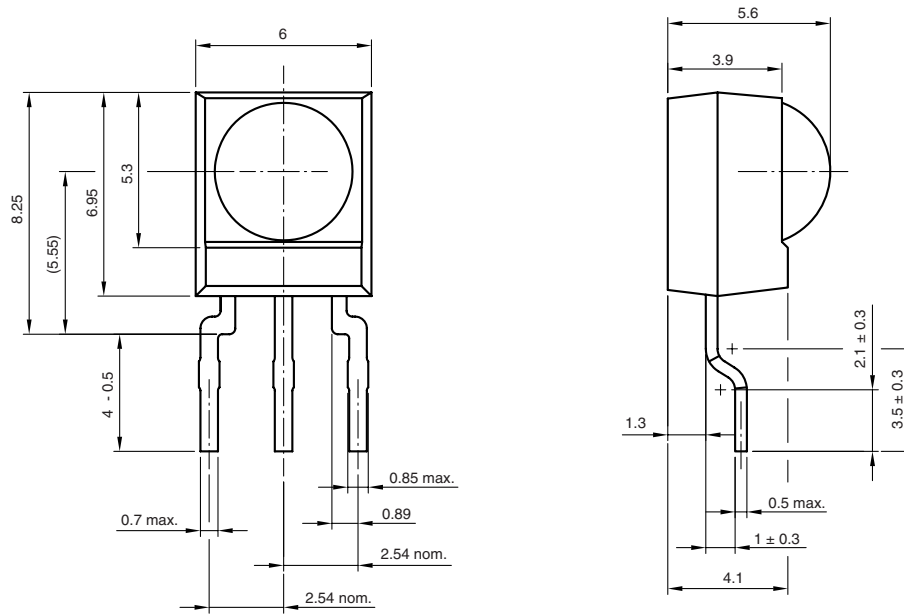

AVAILABLE FOR:

- TSOP34...
- TSOP4....
- TSOP32...
- TSOP2....

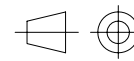

RoHS
COMPLIANT


20258

NAME	LENS AXIS (X)	VIEW	TYPE	HEIGHT (H)	WIDTH (W)	DEPTH (D)
DF1	9.55	Side	Bent	12.25	6	

MECHANICAL DIMENSIONS in millimeters


Not indicated tolerances ± 0.2


 technical drawings
according to DIN
specifications

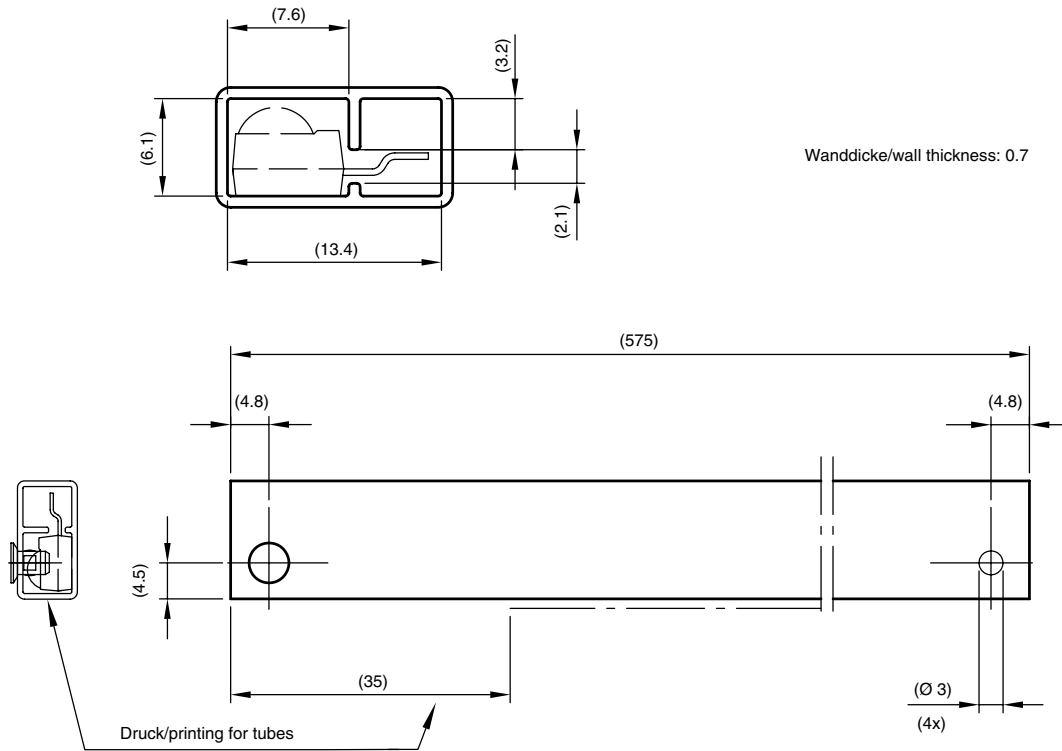
marking area

R 2.5

 Drawing-No.: 6.550-5305.01-4
Issue: 1; 29.09.09

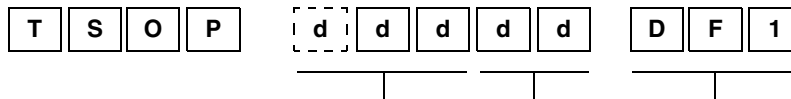
21904

PACKAGING DIMENSIONS in millimeters



Drawing-No.: 9.700-5345.0-4
 Issue: 1; 29.09.09
 21903

ORDERING INFORMATION



2 or 3 digit product series 2 digit frequency Holder type

Note

d = "digit", please consult the list of available series on the previous page to create a valid part number.

Example: TSOP34338DF1

PACKING QUANTITY

- 90 pieces per tube
- 63 tubes per carton